

MATERIALS HAULING
CONSTRUCTION

PNEUMATIC DRY BULK TRAILER



TKAPB



TRAIL KING
DEPENDABLE PERFORMANCE.
EVERY HAUL. EVERY DAY.

TRAIL KING PNEUMATIC DRY BULK

STANDARD FEATURES



Mandrel Bent Piping

Mandrel bent piping throughout the trailer allows for unobstructed flow of product, reducing heat and friction to deliver faster, trouble-free unloading. Lightweight aluminum struts and end frames provide optimum structural stability and weight savings.



Thicker, Stronger Shell

Trail King's standard body shell is thicker than any comparable trailer available in the market. This thicker, stronger body shell requires fewer internal support structures, reducing the number of places where product build-up can occur.



Full-Width Cross Members

Formed aluminum cross members span the full depth of the end frame. A lightweight aluminum torsion plate runs the full width of the end frame for maximum structural strength and weight savings.



Weight Savings

The weight savings of standard components such as the aluminum air tank and more streamlined torsion plates make the Trail King APB models incredibly light.



Liquid-Filled Gauges

Easy-to-read, liquid-filled gauges are conveniently located on the side of the trailer frame. Other locations are available upon request.



Rust-Resistant Landing Gear

The landing gear features a long-lasting, rust-resistant armor-coated finish. Paint options are available.

LIGHTWEIGHT WITH MAXIMUM SUPPORT



Extra Muscle & Weight Saver

The bolted, adjustable "severe service" upper coupler plate delivers "muscle." In addition, the fender bracket (that doubles as protection for the wiring harness) and bolt-on hose tube (that makes hanging the hot air hose for transport quick and easy) deliver weight savings.



Discharge Pipe

The TKAPB offers a piping-discharge to meet your requirements. The rear discharge pipe can be positioned in several configurations: under, over, or if an inverted axle is specified, straight through the axle.



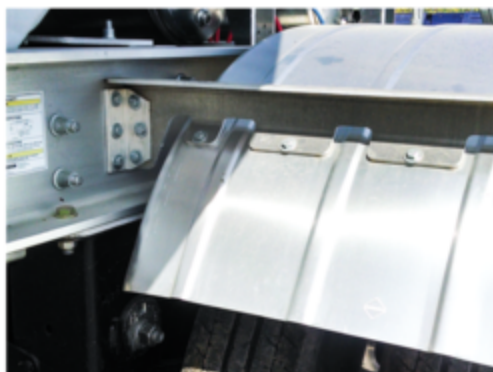
Reinforced Hose Tube

The 8" hose tube is reinforced at both ends to prevent damage from the metal ends of the discharge hose during transport. The hose tube hanger is formed, rather than welded, for added weight savings.



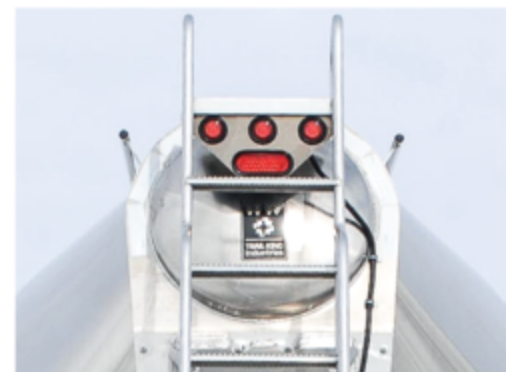
Lightweight Lightbox

The beehive-style LED light is easier for the operator to view from the cab, and the box is lightweight. The bolt-on modular design makes repair or maintenance a simple process.



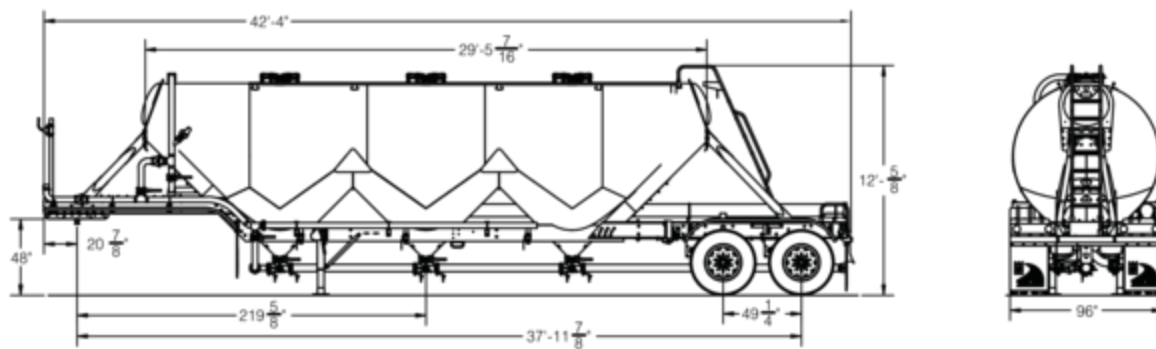
Fender Brackets

NEW two-piece fender mounts are stronger and more durable. On tandem axles, LED lights are incorporated right into the bracket.



Added Safety Lighting

The high-position, high-visibility third taillight package provides an extra dimension of safety. LED lights are standard equipment throughout the trailer.



TKAPB SPECIFICATIONS	APB1033	APB1250	APB1350	APB1633	APB1633E
Overall Width	96"	96"	102"	102"	102"
Capacity (cubic feet)	1033	1250	1350	1633	1633
Weight (lbs)	8,360	8,950	9,550	10,495	10,590
Internal Ring	X	X	X	X	
External Ring					X
Standard Length KP to last axle	38'-4	39'-11	40'-10"	38'-7"	38'-7"
Vessel Location KP to vessel center	220"	237"	242"	240"	240"
Manholes (20" w/ Nylon Wear Plate)	2	2	2	4	4

***NOTE: It is recommended that the interior of the vessel be cleaned professionally prior to initial loading to avoid product contamination.

TKAPB STANDARD EQUIPMENT On All Models:

- Standard fifth wheel (bolted & adjustable)
- 48" fifth wheel height - overall height of 12'
- 96" overall width
- 3-hopper, 45 degree vessel
- Aluminum end frames
- Aluminum struts
- 3" Air inlet on road side w/ male adaptor
- Road side front, terminating between mainframe, angled towards rear
- No top air line
- 3 Solimar fluidizers each hopper w/ hopper savers (controlled by one (1) 3" butterfly valve on front fender)
- 5" ultraflo #400 (iron disc w/ black nitrile seat)
- 5" X 4" aluminum gravity drop
- Non food grade w/ standard finish
- Epoxy primer
- Grey metallic S7230 W/ black decals
- Aluminum fenders (front and rear)
- Trail King anti-sail mudflaps
- P spindle axles
- Toerails on vessel (extending to frontmost manhole)
- Product line piping- 4" Sch 40 aluminum w/ grooved pipe connectors
- Discharge piping- 4" Sch 40 aluminum w/ grooved pipe connectors
- Discharge piping - terminating below axles
- Hose tube - 8" X 21' aluminum - curbside
- Tandem axle suspension: (2) 23k Hendrickson Intraax AANT Air Ride- the lightest available suspension available comes standard with a black undercoating, chip-resistant finish
- 4S2M anti-lock brake system
- Brakes - aluminum air tank
- Stemco platinum plus wheel ends 5-yr./500,000 miles
- 8.25 X 22.5 10-hole machined (SP) aluminum wheel - accuride - down axles inside and outside
- General down axle tires: 11R22.5 HT - 14ply
- Ladder at rear with hand rail
- Gauges on side of frame w/ light
- LED lights - DOT required w/ midturn (high mounted 3rd stop light)
- Two speed (crank road side) (armor coated black)

All specifications are subject to change without notice. Trailers pictured in this brochure may feature optional equipment.



Trail King
Trail King
Trail King
Trail King
Trail King

DESIGNED TO BE LIGHT ENGINEERED TO BE STRONG

The Aluminum Bulk Pneumatic provides a thicker, stronger body shell than anything on the road. Our design requires fewer internal support structures, reducing areas for product build-up and less maintenance. Mandrel bent piping offers unobstructed flow, delivering faster to make unloading clean and easy. Its aluminum cross members span the full depth of the end frame, resulting in a weight savings while still providing maximum structural strength.

The Trail King APB... designed to be everything you're looking for in a rugged, low maintenance bulk pneumatic.

Find your nearest rep: www.TrailKing.com/find-a-rep

PROTECT YOUR INVESTMENT COMPREHENSIVE SUPPORT UNMATCHED SERVICE



From financing a trailer, to a complete refurbishment at our Factory Service Center, Trail King is there to keep your team hauling, day in and day out. Our trusted network of dealers and certified experts are ready to assist you.

△ PARTS

KEEP YOUR TEAM HAULING. Instantly access over 10,000 on-hand parts and a variety of online tools. All Trail King Certified dealers, fleets, and service facilities can place same-day shipping orders for convenient and efficient ordering. Customers looking for more information can contact a local Trail King dealer or submit direct inquiries to parts@trailking.com.

△ REFURB

PROTECT YOUR INVESTMENT. Extend the life of your trailer and increase future resale value by restoring it through Trail King's factory refurbishment program. Customers can request a free estimate for comprehensive refurbishments or specified repairs by visiting trailking.com/refurb-service. Our expert technicians specialize in Trail King equipment, but we also welcome other trailer brands.

△ FINANCE

100% EQUIPMENT FINANCING! Competitive rates and flexible terms are designed to make a Trail King purchase affordable, convenient, and secure. Trail King's innovative payment program operates with an understanding of the changing demands businesses face. Our full suite of financing structures, including Loans, Finance Leases, and TRAC Leases, makes it easier than ever before to own a Trail King trailer.

TRAIL KING IS BUILDING SUCCESS.

Trail King Industries, Inc., headquartered in Mitchell, SD, is the leading manufacturer of open deck and materials hauling trailers for the asphalt paving, construction, commercial hauling, agriculture, and specialized transport industries.

Over the years, Trail King has always kept one thing a top priority, our customers' success. Our trailers are customized for unique challenges and together we can create a solution that is just right for your team.

We don't just build trailers. We design hauling solutions.



trailking.com / TKAPB

300 East Norway Ave. Mitchell, SD 57301 | 800-843-3324 | trailking.com

© 2020 Trail King Industries. All rights reserved.

GSA

Sourcewell
Awarded Contract

Contract # 121918-TK



a proud US manufacturer