

PLR-SERIES

2000 | 2500 | 3300 LBS. CAPACITY

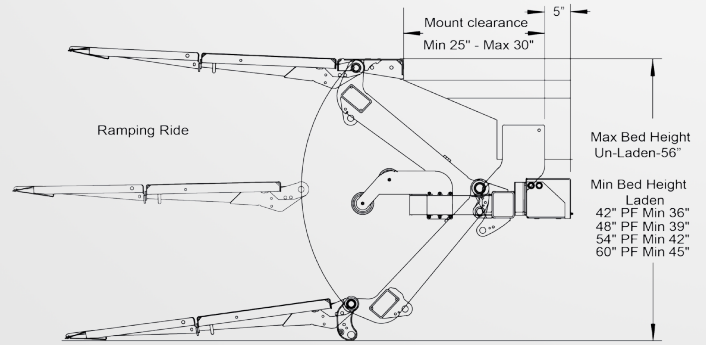
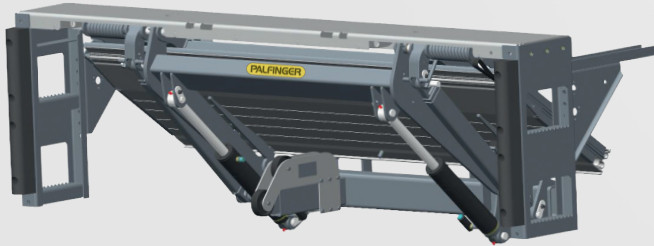


LIFETIME EXCELLENCE

STRONGER, BIGGER, BETTER.
GREATER STRENGTH - ADDED FLEXIBILITY



VERSATILITY, YOU GOT IT! CAPACITIES, PLATFORM SIZES & WALK RAMP CAPABILITIES



Designed to maximize your ROI, the PLR is perfect for city delivery applications and offers many new features like increased capacities up to 3,300 lbs., dual cylinders for added stability, large platform sizes in several configurations and walk ramp capabilities.

For cold and corrosive climates, the PLR is now available in painted or galvanized power down versions as well. All of these features, coupled with a simple operation, results in more efficiency for your fleet.

TO OFFER YOU TAILORED SOLUTIONS, MANY ADDITIONAL OPTIONS ARE AVAILABLE.

OPTION MATRIX

PLR 2000 1 CYLINDER

PLR 2500 1 CYLINDER

PLR 2500 2 CYLINDER

PLR 3300 2 CYLINDER

	PLR 2000 1 CYLINDER	PLR 2500 1 CYLINDER	PLR 2500 2 CYLINDER	PLR 3300 2 CYLINDER
Dual platform roller	S	S	S	S
Cab shut-off switch	S	S	S	S
Black painted finish	S	S	S	S
Galvanized finish	O	O	O	O
All steel platform	S	S	S	S
Steel/Alum platform	O	O	O	O
All alum platform	O	O	O	O
Cart stop (all platforms)	O	O	O	O
No bumper	S	S	S	S
Center bumper	-	-	O	O
D.O.T center bumper	-	-	O	O
2" receiver hitch 10,000#	-	-	O	O
21" or 28" dock bumpers	O	O	O	O
Rubber dock bumper pads	O	O	O	O
Flex step dock bumpers	O	O	O	O
Dock bumper light kits	O	O	O	O
Walk ramp kit	O	O	O	O
Gravity down	S	S	S	S
Power down	O	O	O	O

AVAILABLE LOADING AREA WITH CART STOP PLATFORM

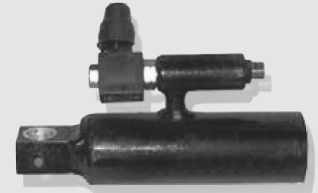
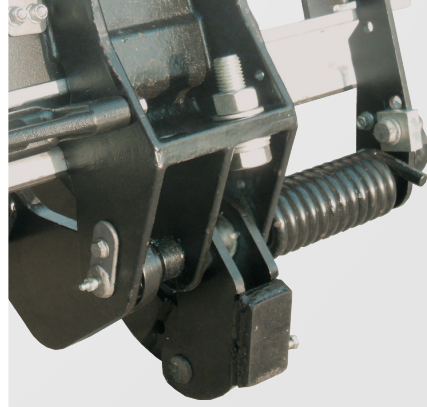
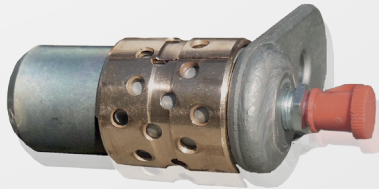
42" = 34"

48" = 40"

54" = 46"

60" = 52"

S = standard **O** = optional



PALFINGER liftgates are built with oversized components for greater reliability. Our liftgates feature heavy duty greasable pins and bushings, hydraulic cylinder locks and adjustable shim stacks for platform adjustment and torsion assist tuning.

STANDARD MECHANICAL FEATURES

- ➔ Hardened & plated pivot pins
- ➔ Bushings & grease fittings at all pivot points
- ➔ New double roller and optimized torsion assist for easy folding
- ➔ Flush mount platform hinges
- ➔ Low-profile ramping ride geometry
- ➔ Shim stack adjusting bolts for platform

STANDARD ELECTRO-HYDRAULIC FEATURES

- ➔ Cab shut-off switch
- ➔ Hydraulic locking valves on cylinder
- ➔ Thermal protected premium motor
- ➔ Poly tank, easy to view oil level
- ➔ Pre-filled with multi-temp hydraulic oil
- ➔ Pre-wired, plumbed, and mounted power pack
- ➔ Power pack weather enclosure

TECHNICAL SPECIFICATIONS

MODEL	CYLINDER	CAPACITY LBS	PLATFORM SIZE (INCHES)	BED HEIGHT RANGE* (INCHES)	MODEL	CYLINDER	CAPACITY LBS	PLATFORM SIZE (INCHES)	BED HEIGHT RANGE* (INCHES)
PLR-20 S	SINGLE	2000	42 x 80	36 - 52	PLR-25 D	DUAL	2500	48 x 80	39 - 52
PLR-20 S	SINGLE	2000	48 x 80	39 - 52	PLR-25 D	DUAL	2500	54 x 80	42 - 52
PLR-20 S	SINGLE	2000	54 x 80	42 - 52	PLR-25 D	DUAL	2500	60 x 80	45 - 56**
PLR-25 S	SINGLE	2500	42 x 80	36 - 52	PLR-33 D	DUAL	3300	48 x 80	39 - 52
PLR-25 S	SINGLE	2500	48 x 80	39 - 52	PLR-33 D	DUAL	3300	54 x 80	42 - 52
PLR-25 S	SINGLE	2500	54 x 80	42 - 52	PLR-33 D	DUAL	3300	60 x 80	45 - 56**

800 mm arm is standard - Maximum 52" floor
 Minimum laden bed height ranges per deck size, with 4" sill

* Optional 900 mm arm extends maximum bed height to 56"
 ** 900 mm arm is standard on 60" platforms



PALFINGER LIFTGATES, LLC

15939 Pioma Avenue
Cerritos, CA | 90703 | USA
T +888 774 5844 | F +562 924 8318

info@interlift.net | www.palfinger.com

72 Whitehead Road | Suite 301
Trenton, NJ | 08619 | USA
T +609 587 4200 | F +609 587 4201